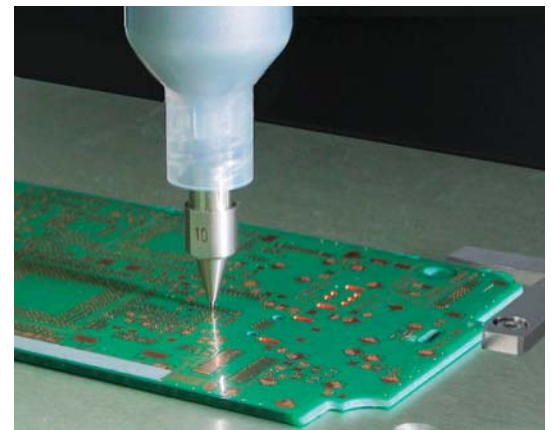


一体精密ノズルによる安定・微量吐出を実現。

Further smaller volume dispensing with further stability achieved thanks to integral precision nozzle



特長 Features

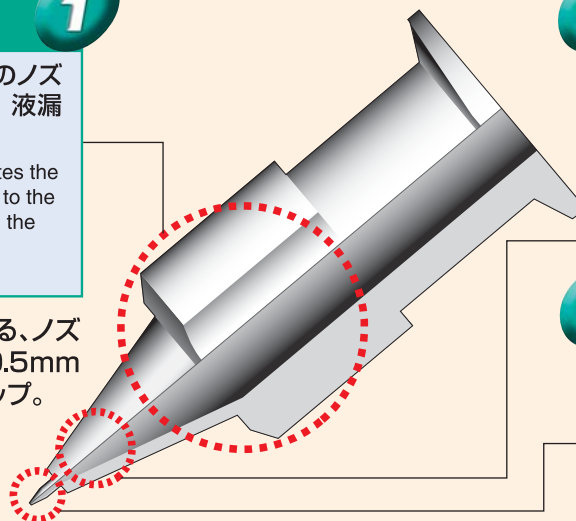
1 一体構造 Integral structure

一体構造により、針元へのノズル締め込み作業が不要。液漏れの心配がありません。

The integral structure eliminates the operation of needle mounting to the nozzle, and accordingly, frees the user from concern about fluid leakage.

- 塗布目的に応じて選べる、ノズル内径φ0.1mm～φ0.5mmまでの豊富なラインナップ。

You can select from a wide range of nozzle inside diameters from 0.1 mm to 0.5 mm in accordance with your needs.



2 テーパー形状 Tapered shape

テーパー形状による抜群の流動特性を実現。液詰まりを軽減します。

Excellent flowability thanks to the tapered needle tip has resulted in reduction in fluid clogging.



3 ノズル先端部極薄加工 Ultra-thinned nozzle tip

超極薄加工により、高精度な微量・安定吐出を実現。

High-precision dispensing with high stability in small volume has been achieved thanks to ultra-thin processing.

