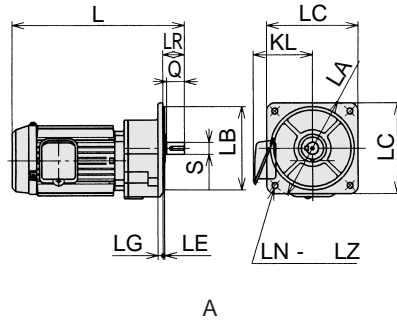


寸法図



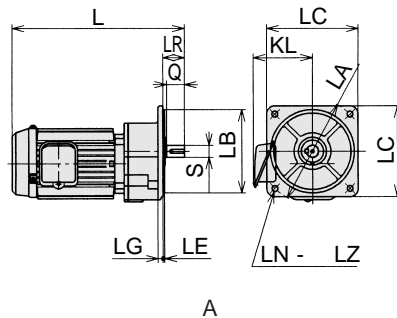
0.1kW立て型ギヤモータ寸法および価格

全閉自冷型、周波数50 / 60 / 60Hz 電圧：200/200/220V

| 型式 | 価格 | | 図示 | 主要寸法(mm) | | | | | | | | | | 軸端 | | 質量 kgf | |
|------------------|--------|---------|----|----------|-------|----|-----|-----|-------|----|----|----|----|----|----|-----------|-----|
| | 標準 | ブレーキ付 | | L | B付 | LR | LA | LB | LC | LE | LG | LZ | LN | KL | S | | Q |
| CAV24-010-200(B) | 89,700 | 147,000 | A | 253 | 295.5 | 43 | 185 | 148 | 155.5 | 4 | 12 | 12 | 4 | 70 | 24 | 36 | 7.0 |
| CAV24-010-160(B) | 80,600 | 138,000 | A | 253 | 295.5 | 43 | 185 | 148 | 155.5 | 4 | 12 | 12 | 4 | 70 | 24 | 36 | 7.0 |
| CAV24-010-120(B) | 74,200 | 123,000 | A | 253 | 295.5 | 43 | 185 | 148 | 155.5 | 4 | 12 | 12 | 4 | 70 | 24 | 36 | 7.0 |
| CAV19-010-100(B) | 53,100 | 110,000 | A | 232 | 274.5 | 35 | 170 | 140 | 145.5 | 4 | 10 | 10 | 4 | 70 | 19 | 28 | 5.9 |
| CAV19-010-80(B) | 52,700 | 109,000 | A | 232 | 274.5 | 35 | 170 | 140 | 145.5 | 4 | 10 | 10 | 4 | 70 | 19 | 28 | 5.9 |
| CAV19-010-60(B) | 51,900 | 109,000 | A | 232 | 274.5 | 35 | 170 | 140 | 145.5 | 4 | 10 | 10 | 4 | 70 | 19 | 28 | 5.9 |
| CAV19-010-50(B) | 47,900 | 105,000 | A | 219 | 261.5 | 35 | 170 | 140 | 145.5 | 4 | 10 | 10 | 4 | 70 | 19 | 28 | 5.0 |
| CAV19-010-40(B) | 47,900 | 105,000 | A | 219 | 261.5 | 35 | 170 | 140 | 145.5 | 4 | 10 | 10 | 4 | 70 | 19 | 28 | 5.0 |
| CAV19-010-30(B) | 44,200 | 101,000 | A | 219 | 261.5 | 35 | 170 | 140 | 145.5 | 4 | 10 | 10 | 4 | 70 | 19 | 28 | 5.0 |
| CAV19-010-25(B) | 44,200 | 101,000 | A | 219 | 261.5 | 35 | 170 | 140 | 145.5 | 4 | 10 | 10 | 4 | 70 | 19 | 28 | 5.0 |
| CAV19-010-20(B) | 44,000 | 100,000 | A | 219 | 261.5 | 35 | 170 | 140 | 145.5 | 4 | 10 | 10 | 4 | 70 | 19 | 28 | 5.0 |
| CAV19-010-15(B) | 43,400 | 100,000 | A | 219 | 261.5 | 35 | 170 | 140 | 145.5 | 4 | 10 | 10 | 4 | 70 | 19 | 28 | 5.0 |
| CAV19-010-10(B) | 43,100 | 99,900 | A | 219 | 261.5 | 35 | 170 | 140 | 145.5 | 4 | 10 | 10 | 4 | 70 | 19 | 28 | 5.0 |
| CAV19-010-5(B) | 42,800 | 99,500 | A | 219 | 261.5 | 35 | 170 | 140 | 145.5 | 4 | 10 | 10 | 4 | 70 | 19 | 28 | 5.0 |

注) 減速比1/200以上の形番についてはここに掲載しておりません。お問い合わせ下さい。

寸法図



0.2kW立て型ギヤモータ寸法および価格

全閉自冷型、周波数50 / 60 / 60Hz 電圧：200/200/220V

| 型式 | 価格 | | 図示 | 主要寸法(mm) | | | | | | | | | | 軸端 | | 質量 kgf | |
|------------------|---------|---------|----|----------|-------|----|-----|-----|-------|----|----|----|----|----|----|-----------|------|
| | 標準 | ブレーキ付 | | L | B付 | LR | LA | LB | LC | LE | LG | LZ | LN | KL | S | | Q |
| CAV28-020-200(B) | 101,000 | 158,000 | A | 301.5 | 337.5 | 49 | 215 | 170 | 195.5 | 3 | 10 | 12 | 4 | 72 | 28 | 42 | 12.7 |
| CAV28-020-160(B) | 90,700 | 148,000 | A | 301.5 | 337.5 | 49 | 215 | 170 | 195.5 | 3 | 10 | 12 | 4 | 72 | 28 | 42 | 12.7 |
| CAV28-020-120(B) | 83,200 | 134,000 | A | 301.5 | 337.5 | 49 | 215 | 170 | 195.5 | 3 | 10 | 12 | 4 | 72 | 28 | 42 | 12.7 |
| CAV24-020-100(B) | 59,700 | 116,000 | A | 284.5 | 320.5 | 43 | 185 | 148 | 155.5 | 4 | 12 | 12 | 4 | 72 | 24 | 36 | 8.5 |
| CAV24-020-80(B) | 59,100 | 115,000 | A | 284.5 | 320.5 | 43 | 185 | 148 | 155.5 | 4 | 12 | 12 | 4 | 72 | 24 | 36 | 8.5 |
| CAV24-020-60(B) | 59,100 | 115,000 | A | 284.5 | 320.5 | 43 | 185 | 148 | 155.5 | 4 | 12 | 12 | 4 | 72 | 24 | 36 | 8.5 |
| CAV24-020-50(B) | 55,700 | 112,000 | A | 284.5 | 320.5 | 43 | 185 | 148 | 155.5 | 4 | 12 | 12 | 4 | 72 | 24 | 36 | 8.5 |
| CAV24-020-40(B) | 55,700 | 112,000 | A | 284.5 | 320.5 | 43 | 185 | 148 | 155.5 | 4 | 12 | 12 | 4 | 72 | 24 | 36 | 8.5 |
| CAV19-020-30(B) | 51,400 | 108,000 | A | 250.5 | 286.5 | 35 | 170 | 140 | 145.5 | 4 | 10 | 10 | 4 | 72 | 19 | 28 | 6.5 |
| CAV19-020-25(B) | 51,400 | 108,000 | A | 250.5 | 286.5 | 35 | 170 | 140 | 145.5 | 4 | 10 | 10 | 4 | 72 | 19 | 28 | 6.5 |
| CAV19-020-20(B) | 51,200 | 108,000 | A | 250.5 | 286.5 | 35 | 170 | 140 | 145.5 | 4 | 10 | 10 | 4 | 72 | 19 | 28 | 6.5 |
| CAV19-020-15(B) | 51,000 | 107,000 | A | 250.5 | 286.5 | 35 | 170 | 140 | 145.5 | 4 | 10 | 10 | 4 | 72 | 19 | 28 | 6.5 |
| CAV19-020-10(B) | 50,800 | 107,000 | A | 250.5 | 286.5 | 35 | 170 | 140 | 145.5 | 4 | 10 | 10 | 4 | 72 | 19 | 28 | 6.5 |
| CAV19-020-5(B) | 50,400 | 107,000 | A | 250.5 | 286.5 | 35 | 170 | 140 | 145.5 | 4 | 10 | 10 | 4 | 72 | 19 | 28 | 6.5 |